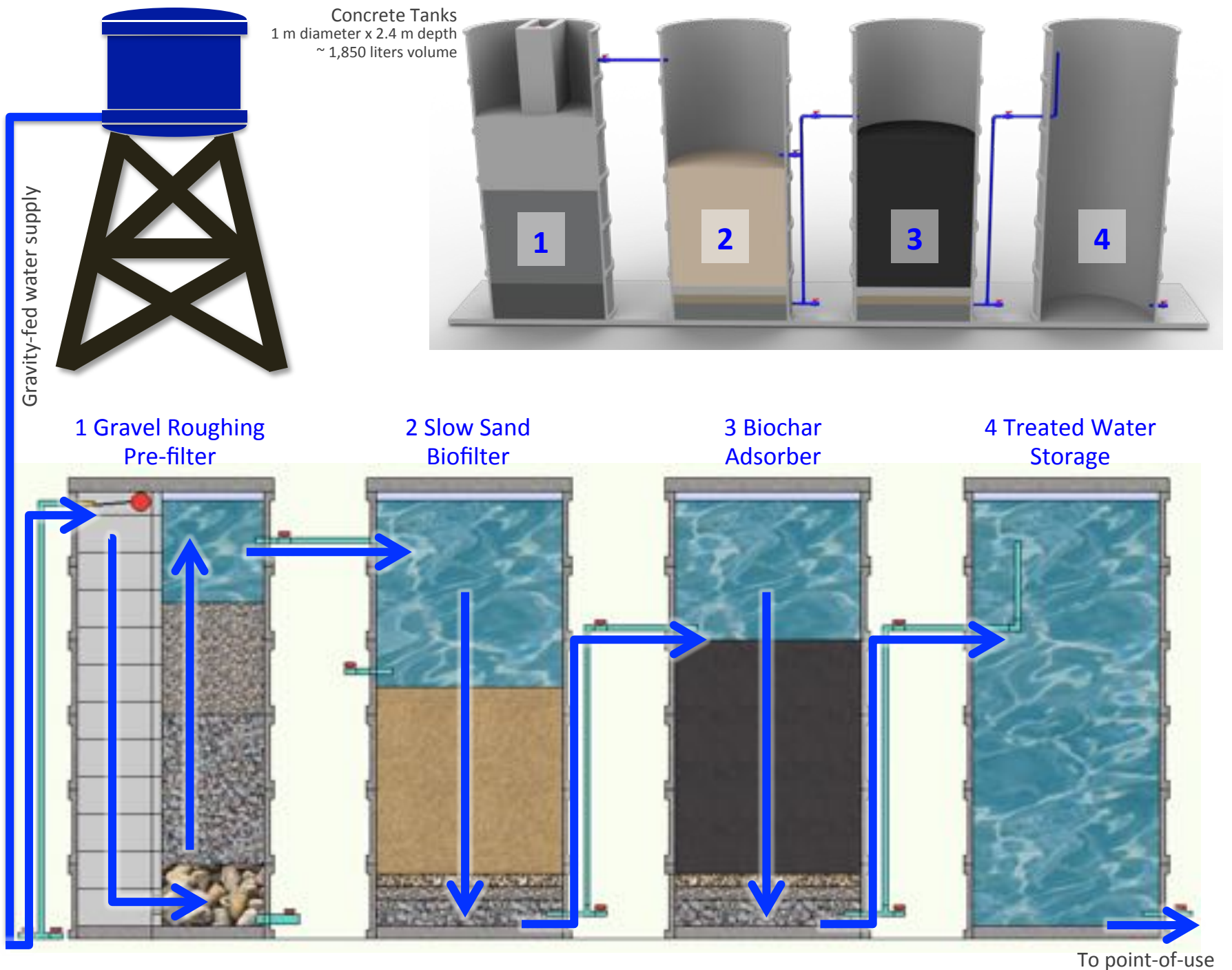


2,000 Liter per Day Water Treatment System



Treatment Flow Diagram



Gravel Roughing Pre-Filtration

Removes sediment, particulate organic matter, and some microorganisms

In this treatment step, water flows slowly upward through the gravel allowing sediment and other solid matter to settle to the bottom of the tank. Some harmful microorganisms attached to solid particles also settle out.

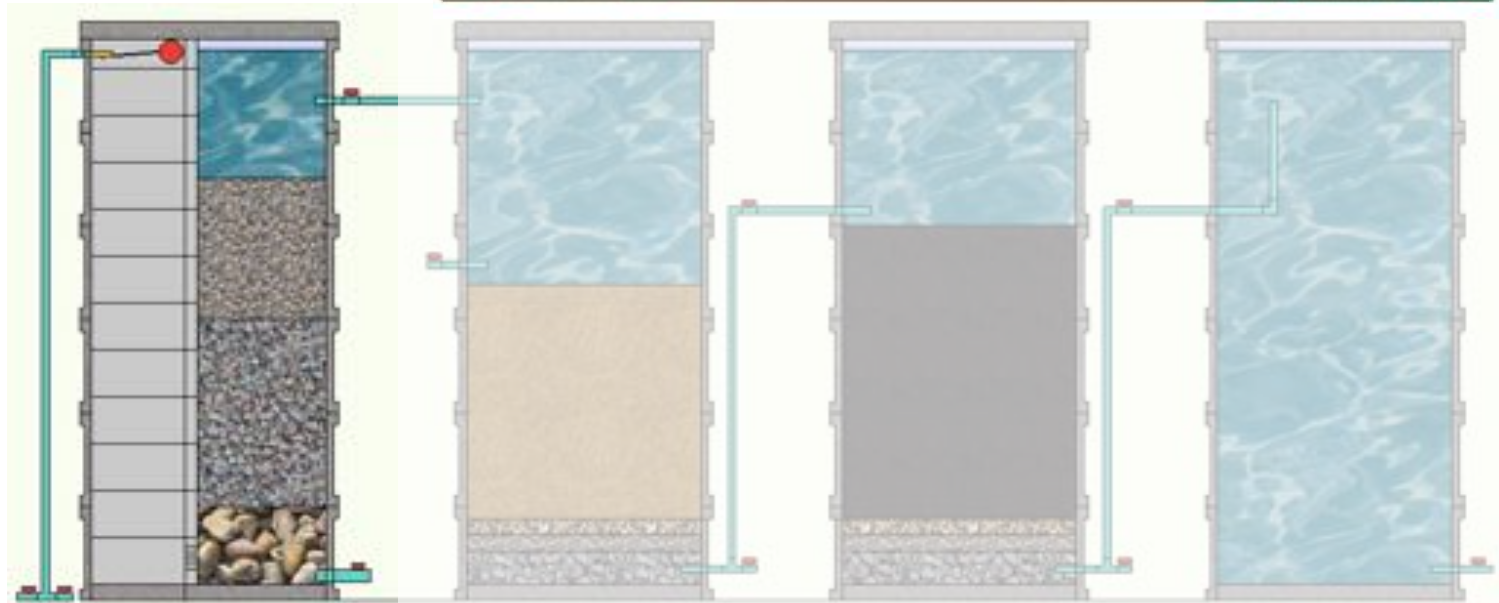
Maintenance: Monthly Backwashing

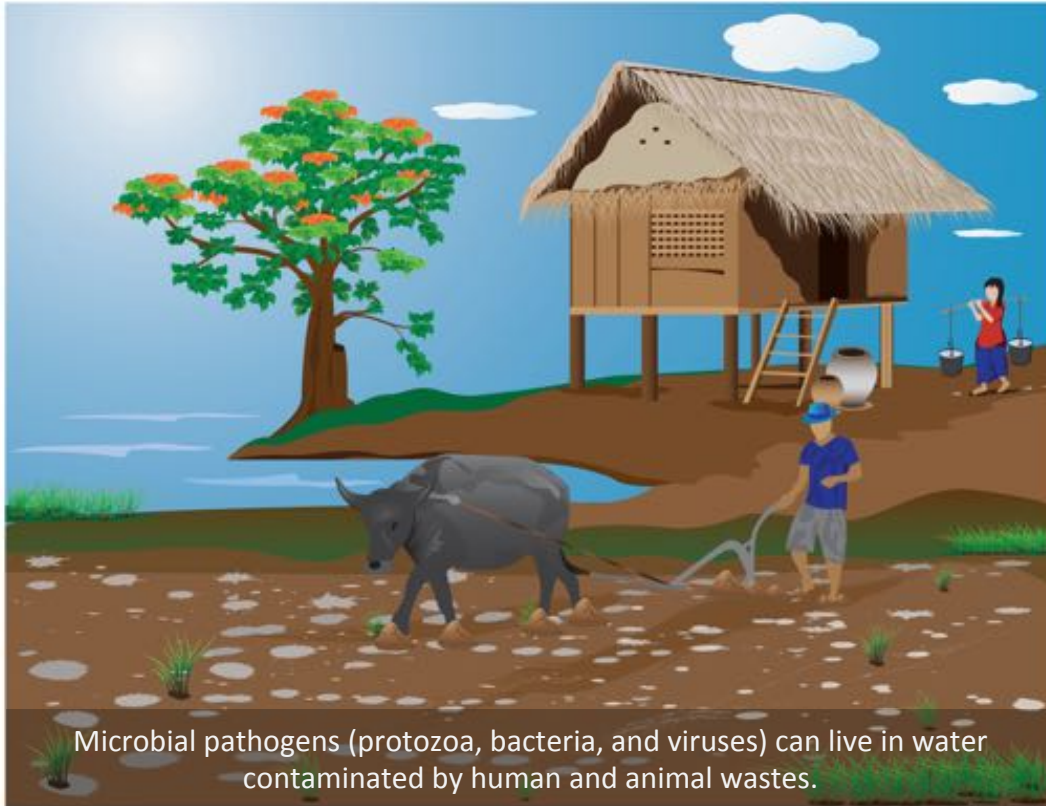
At least once per month open the large valve at the bottom of the tank to flush out the accumulated solids. Open the inlet cleanout valve to flush out sediment that accumulates in low areas of the water supply pipe.

Under normal conditions the gravel does not need to be replaced.



Deforestation, agriculture, and urban development can increase erosion of soils and sediments, especially during the rainy season.





Microbial pathogens (protozoa, bacteria, and viruses) can live in water contaminated by human and animal wastes.

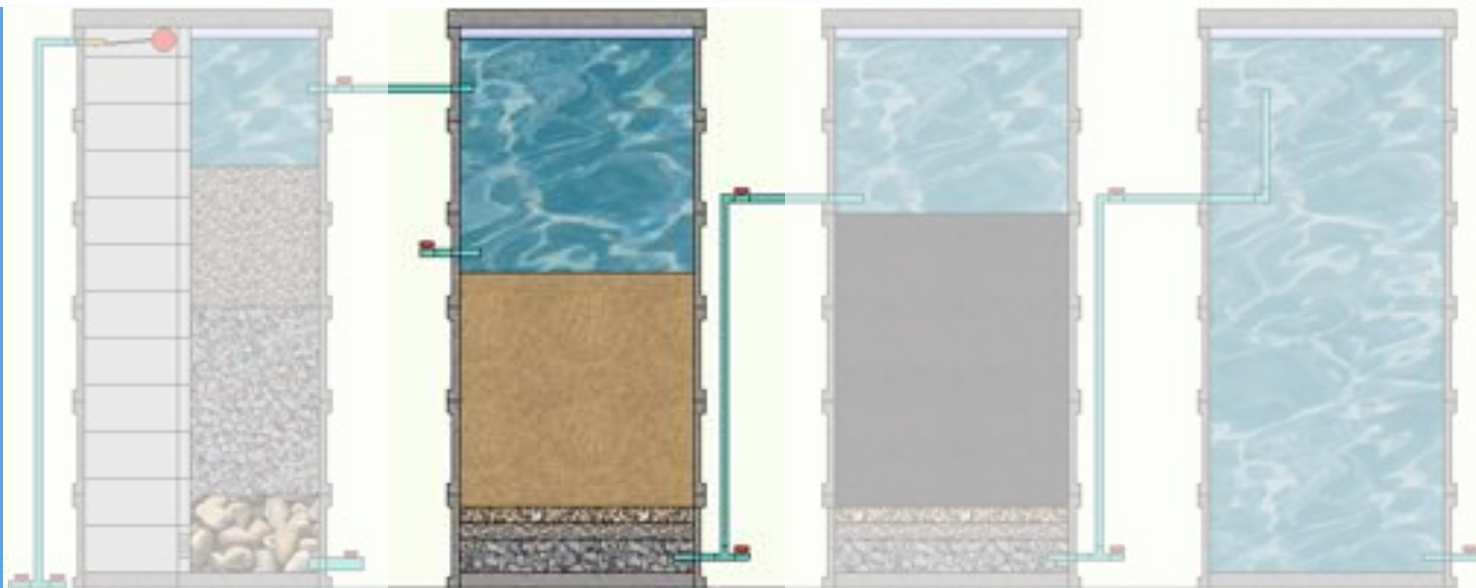
Slow Sand Biofiltration

Removes fine particles, biodegradable dissolved organic matter, and microbial pathogens

In this treatment step, water flows downward through a bed of fine sand. Small particles are removed by physical straining and some pathogen cells are removed by adsorption to sand grains. Over time a natural biofilm of beneficial microorganisms forms in the top 1-2 cm of the sand. The biofilm removes microbial pathogens by interception, competition, and predation. It also removes biodegradable dissolved organic matter, including some synthetic chemical water contaminants.

Maintenance: Filter Harrowing

Over time, as the biofilm develops and fine particles settle at the top of the sand, flow rate through the filter decreases. To restore the design flow rate, use a pole to stir the water above the sand bed, suspending some of the accumulated sediment and biofilm. Open the harrowing valve to remove the turbid water, allowing sand particles with attached biofilm to settle and reestablish.



Biochar Adsorption

Removes organic chemical contaminants

In this treatment step, water flows downward through a bed of crushed biochar.

Biochar made specially for water treatment (i.e., different than common cooking charcoal) is a highly porous material with a large internal surface area. Dissolved chemical contaminants are drawn into fine micro-pores where they adsorb onto the biochar surface. A sparse biofilm of beneficial microorganisms also lives in the char. Mechanisms of adsorption and biodegradation act to remove synthetic chemical water contaminants.*

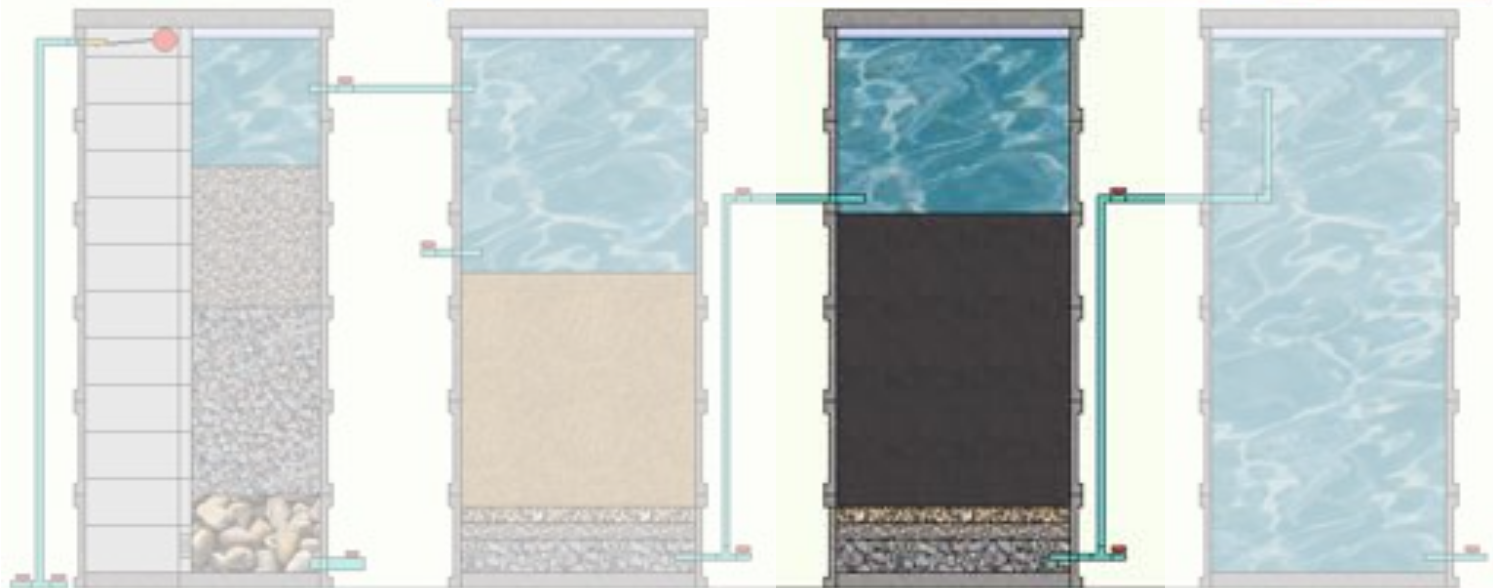
Maintenance: Biochar Replacement

Every three to four years the biochar should be removed, safely disposed of, and replaced with fresh crushed char.

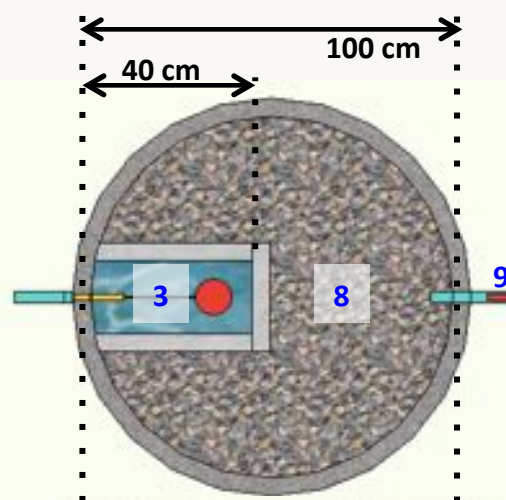
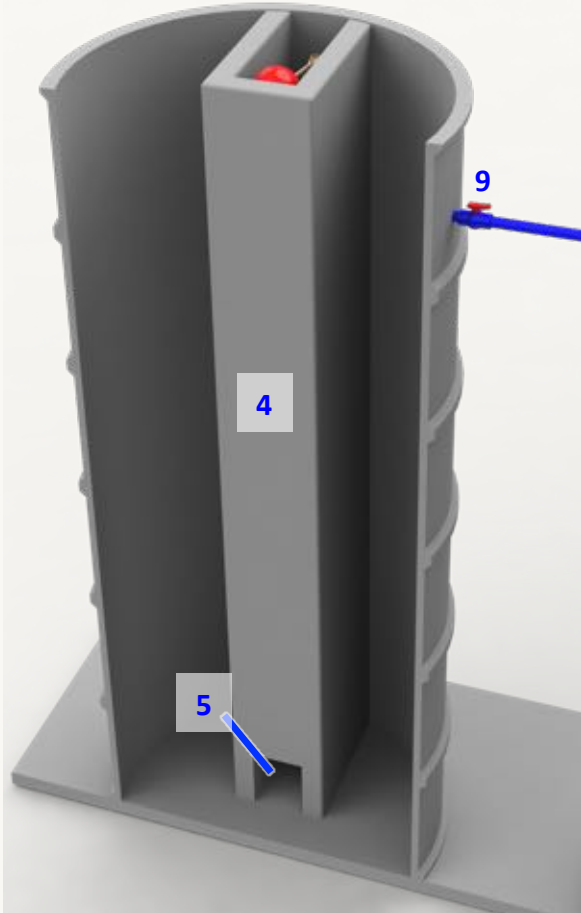
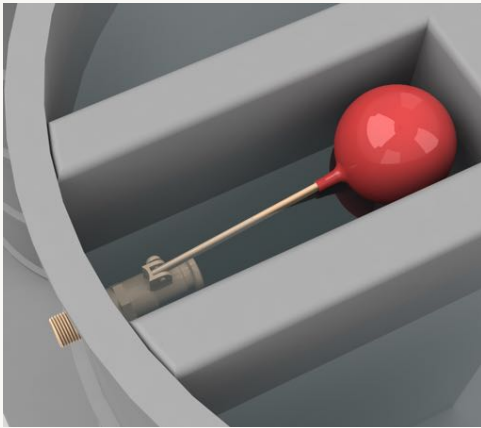
* Note: Not all synthetic organic compounds are easily adsorbed or readily biodegraded – water sources impacted by such contaminants should be avoided where possible.



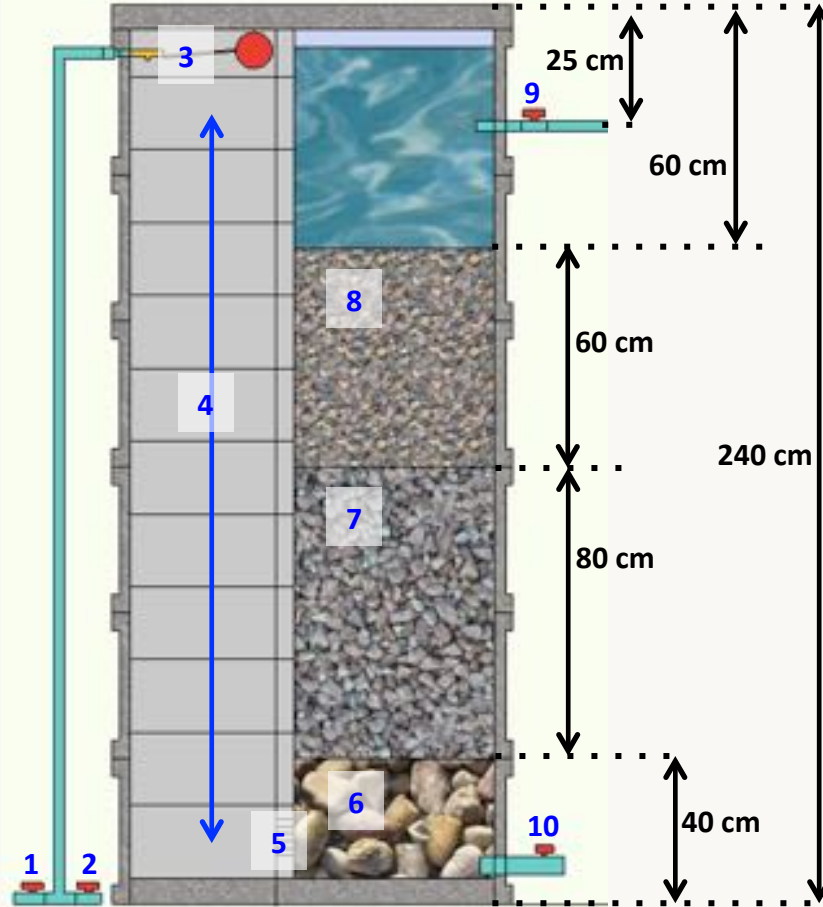
Runoff from agriculture and industrial areas can carry pesticides, human and livestock pharmaceuticals, and other synthetic chemicals. Some of these chemicals cause cancer, birth defects, endocrine disruption, and organ damage.



Gravel Roughing Pre-Filter



- 1 Inlet valve ($\frac{3}{4}$ "
- 2 Inlet cleanout valve ($\frac{3}{4}$ "
- 3 Float valve, water inlet ($\frac{3}{4}$ "
- 4 Concrete block inlet channel
- 5 Inlet channel opening
- 6 Large stones (5-15 cm dia.)
- 7 Coarse gravel (2-5 cm dia.)
- 8 Pea gravel (5-25 mm dia.)
- 9 Outlet valve ($\frac{3}{4}$ "
- 10 Backwash valve (2")

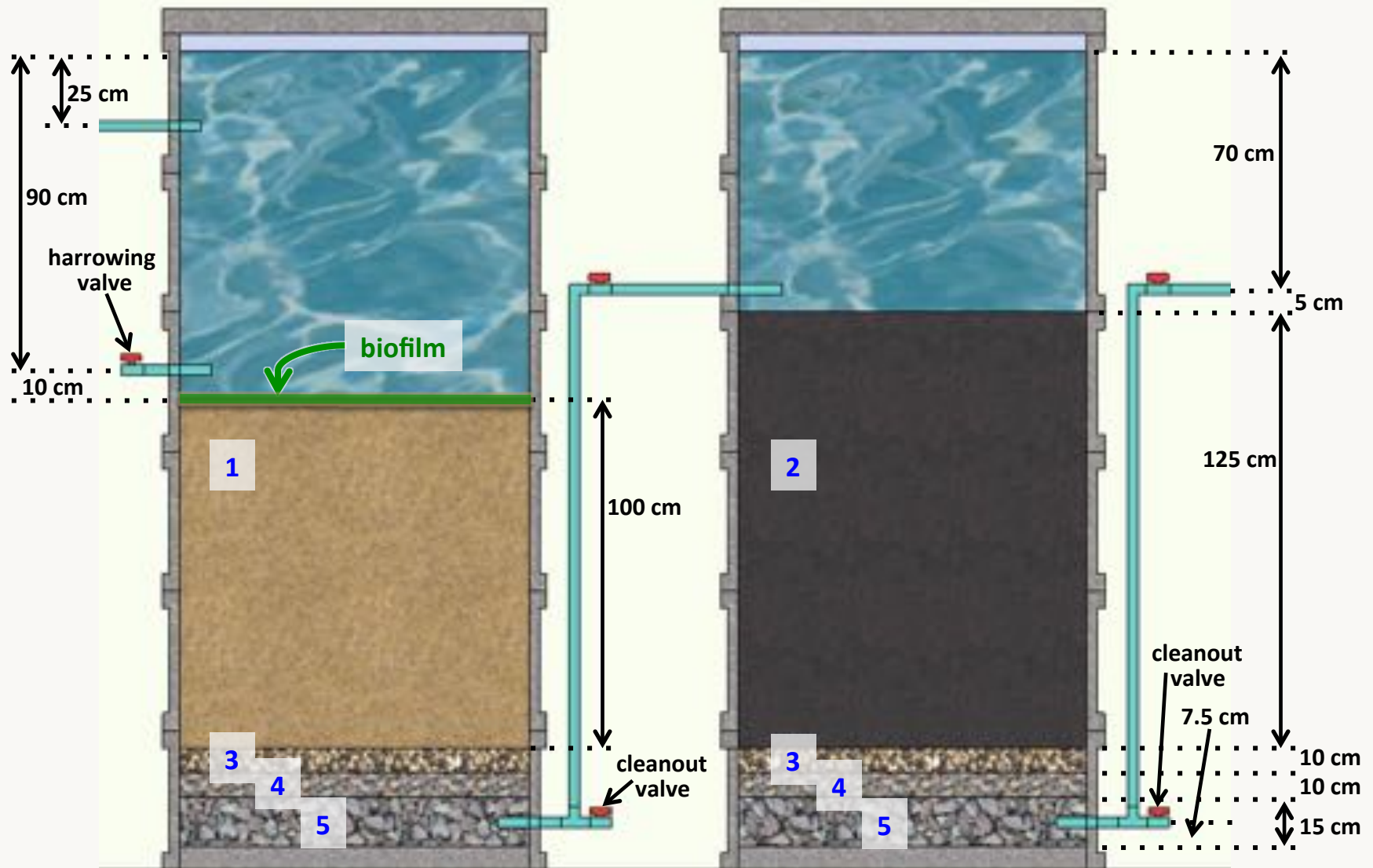


Media Specifications

- 1 Fine sand [0.1-2.5 mm dia.]
- 2 Crushed biochar [1-10 mm dia.]
- 3 Coarse sand [2.5-5 mm dia.]
- 4 Pea gravel [5-25 mm dia.]
- 5 Coarse gravel [2-5 cm dia.]

All media should be washed very well before installation in order to eliminate "fines" (powder, silt, rock dust, etc.).

All PVC pipe and fittings are ¾".

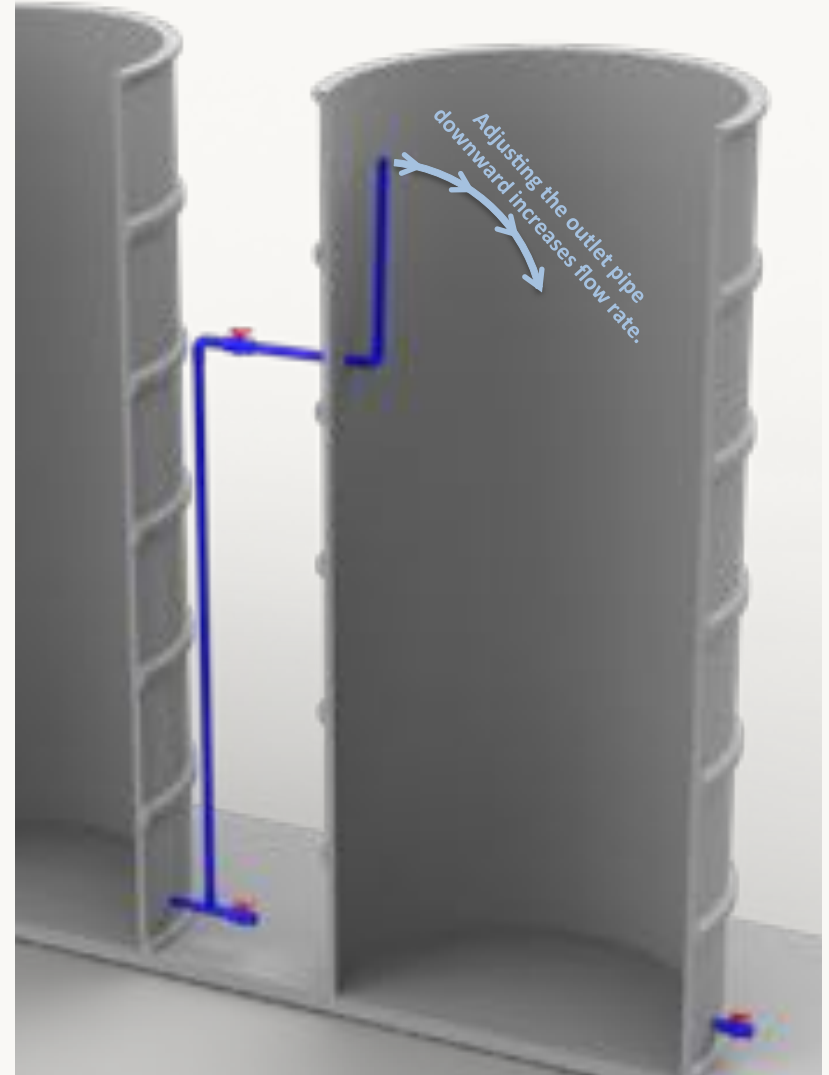
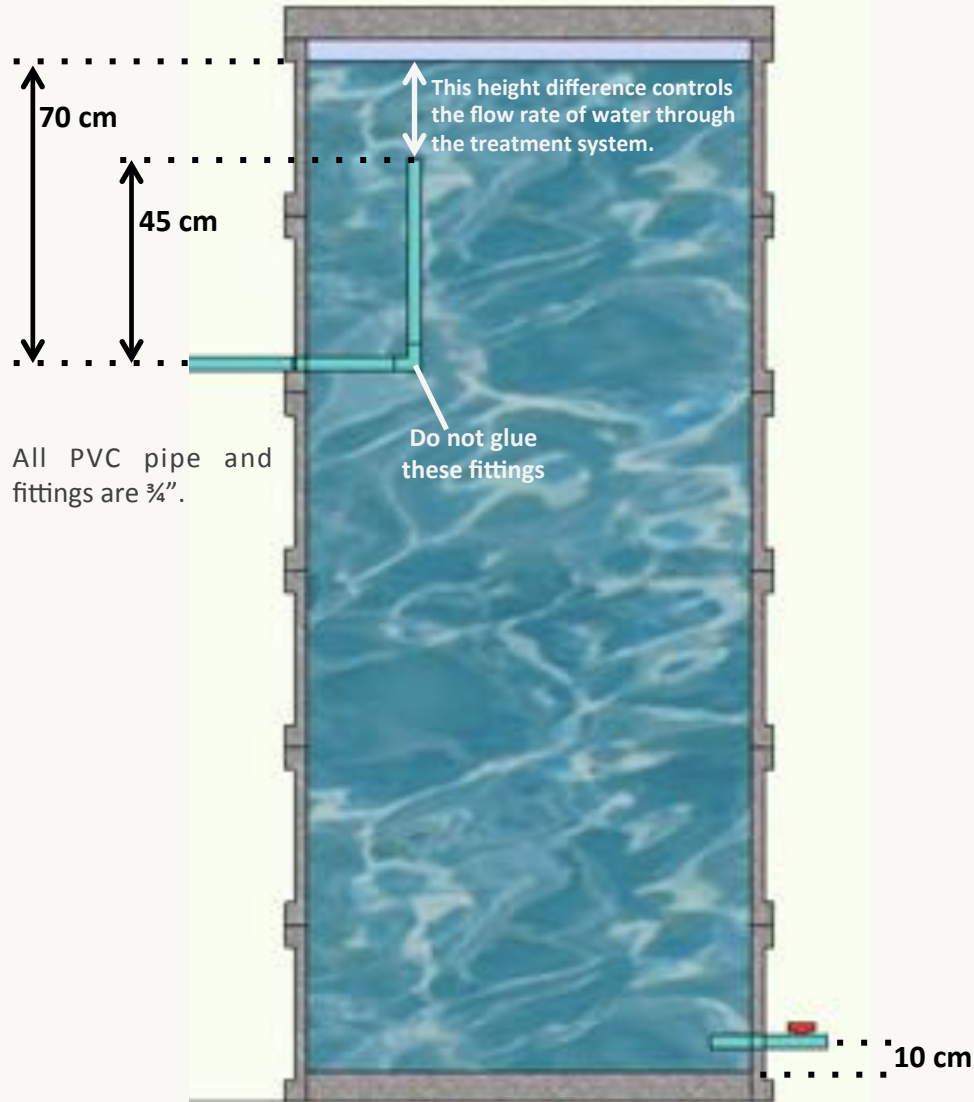


Treated Water Storage Tank

The system flow rate is controlled by adjusting the outlet pipe in the treated water storage tank.

The height of the outlet pipe relative to the waterline when the treated water storage tank is full sets the flow rate of water through the treatment system. Adjust the angle of the outlet pipe as shown to maintain the system at the design flow rate (1,000-2,000 L per day, or approx. 45 seconds to 90 seconds per liter).

Maintaining the system flow rate at 1,000-2,000 L/d is important for optimal treatment and water quality.



Treatment System Conditioning

After installing media and connecting plumbing

1. Fill and flush the gravel tank two to three times to rinse the media.
2. Using water from the gravel filter, fill and flush the sand tank two to three times, or until the water comes out clear.
3. Use water from the sand filter to fill and flush the biochar tank two times. Ensure that particles of sand and biochar are not being passed through the outlet pipes or the sand or biochar tanks.
4. Using water from the char tank, fill and flush the water storage tank one time.
5. To condition the sand biofilter and stabilize the treatment system, allow the water storage tank to fill and empty once per day for one to two weeks after installation. This water can be used for cooking or preparing hot beverages but should not be used for direct consumption.

Facilitating biofilm development

The treatment system will attain optimal performance when the biofilm in the sand filter is well established. Biofilm development is influenced by local environmental variables such as temperature and source water characteristics. Warm temperatures and well aerated water facilitate biofilm development. Biofilm maturation can be assisted by leaving the sand tank exposed to sunlight for a few weeks following initial installation. (A 1 mm screen should be used as a cover to exclude dirt, leaves, and debris.) A small amount of photosynthetic algae will grow in the water column and help to nourish the biofilm. When the biofilm becomes visible on the top of the sand, cover the tank to avoid excess algal growth. In warm, sunny locales this should occur within two to three weeks.

The maximum flow rate through the system is limited by the slow sand biofilter.

The sand filter utilizes the finest grain size media and so provides the most resistance to the flow of water through the treatment system. The flow rate is highest during the first few weeks after initial installation. Over time, as the biofilm in the sand filter develops (“ripens”), the flow rate decreases. The flow rate will also vary within a smaller range over the course of sand filter maintenance cycles. The rates of biofilm ripening after initial installation, and reestablishment after filter maintenance, depend upon local climate (average and high/low daily and seasonal temperature) and source water quality parameters (such as dissolved oxygen and organic matter content).

Optimal system performance requires continuous flow

Ceasing water flow through the system for long periods (i.e., for more than a few days at a time) will deplete dissolved oxygen and impair water quality and aesthetics. For best treatment results the system should be used continuously. If the system will be offline for a long period (i.e., weeks, months), drain the tanks. Repeat the conditioning process when the system is brought back online.

Part	Quantity
tank made from concrete or other material, with lids ~1,850 L vol.	4
¾” PVC valve	9
2” PVC valve	1
¾” PVC tee	3
¾” PVC elbow	4
¾” float valve	1
¾” PVC pipe (4 m)	2
2” PVC pipe (4 m)	1
PVC glue	1 large can
nylon string or steel wire	20 m
plastic netting 1 mm #	1x10 m
plastic netting 10 mm #	1x2 m
plastic netting 5 mm #	1x2 m
plastic netting 2.5 mm #	1x2 m
plumbing connections from source, and to point-of-use	user defined



Aqueous Solutions
Advancing the Science of Self-reliance

www.aqsolutions.org



Aqueous Solutions, 2016
Technical Illustrations by N Reents, B Deriemaeker



This work is licensed under the Creative Commons Attribution 4.0 International License. To view a copy of this license, visit <http://creativecommons.org/licenses/by/4.0/> or send a letter to Creative Commons, PO Box 1866, Mountain View, CA 94042, USA.